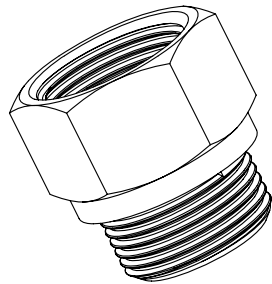
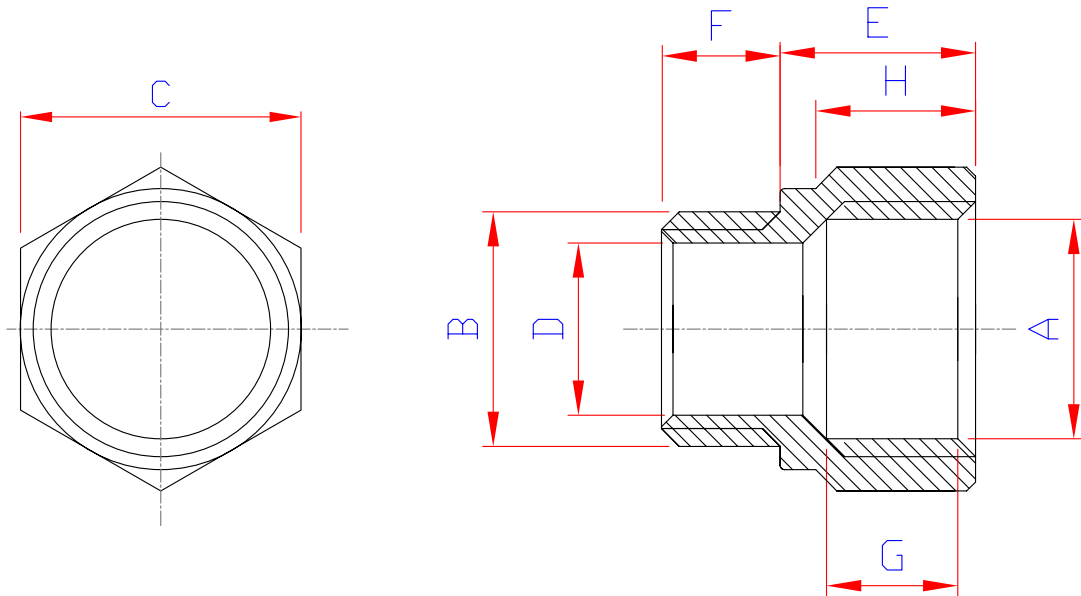


THOMAS GOODEN FOUNDRY SERVICES PTY LIMITED

Tel (02) 9603-9988 Fax (02) 9603-9288

E-mail: sales@tgfs.com.au

Dimensions And Diagram Adaptor



Dimensions - mm

Size	A	B	C	D	E	F	G	H
15	G1/2 14TPI	G1/2 14TPI	25.8	12.9	19.5	12.5	15.8	7.5
20	G3/4 14TPI	G3/4 14TPI	31.5	19.3	21.7	13.2	16.7	17.7
20	G3/4 14TPI	G1/2 14TPI	31.5	12.9	21.2	12.5	17	7.5
25	G1 11TPI	G1 11TPI	39.2	25.5	24.5	16.7	21.5	15
25	G1 11TPI	G1/2 14TPI	39.2	12.9	27.2	12.5	21	15
25	G1 11TPI	G3/4 14TPI	39.2	18	24.5	15	21.5	15
32	G1 1/4 11TPI	G1 1/4 11TPI						
32	G1 1/4 11TPI	G3/4 14TPI	47.2	19.3	28	13.2	22	13
32	G1 1/4 11TPI	G1 11TPI	47.2	25	28	16.7	22	13
40	G1 1/2 11TPI	G1 1/2 11TPI	54.4	38.7	26.8	18.4	22	22.8
40	G1 1/2 11TPI	G1 11TPI	54.4	25	26.8	16.7	22	22.8
40	G1 1/2 11TPI	G1 1/4 11TPI	54.4	32	26.8	18.5	22	22.8

